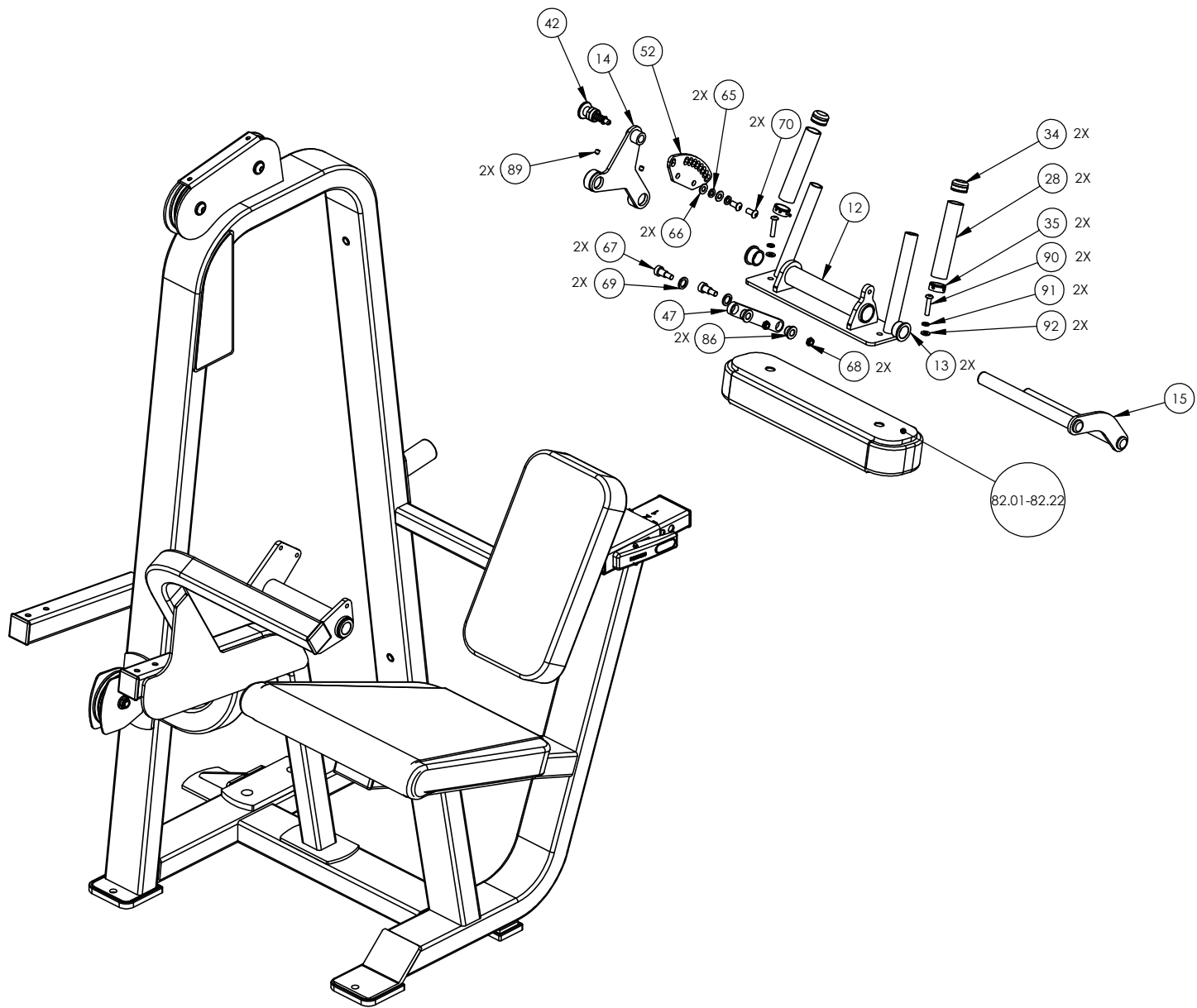
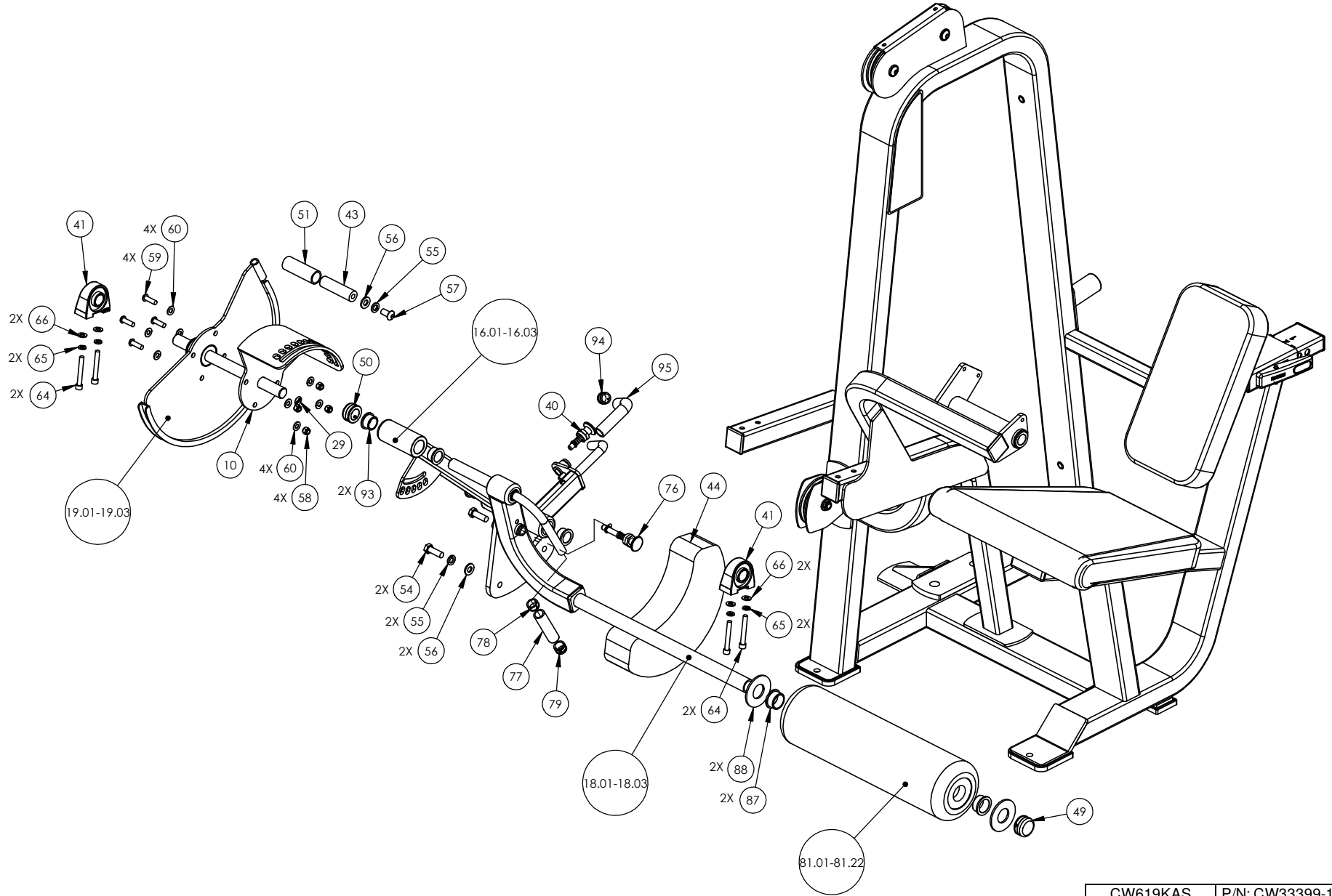


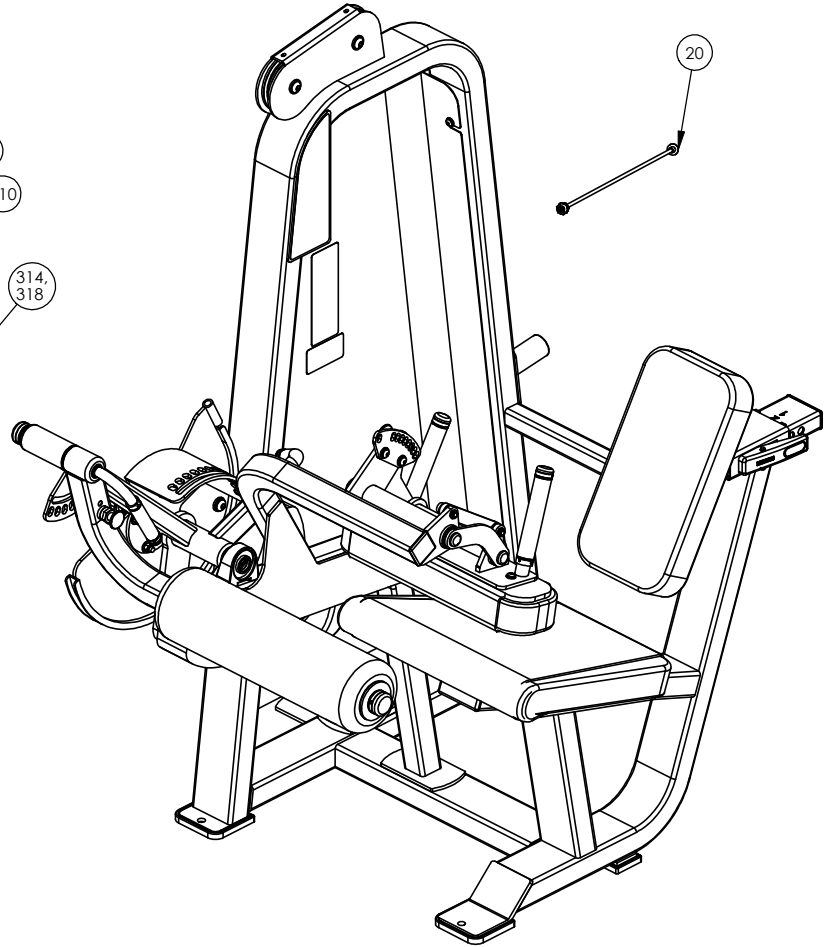
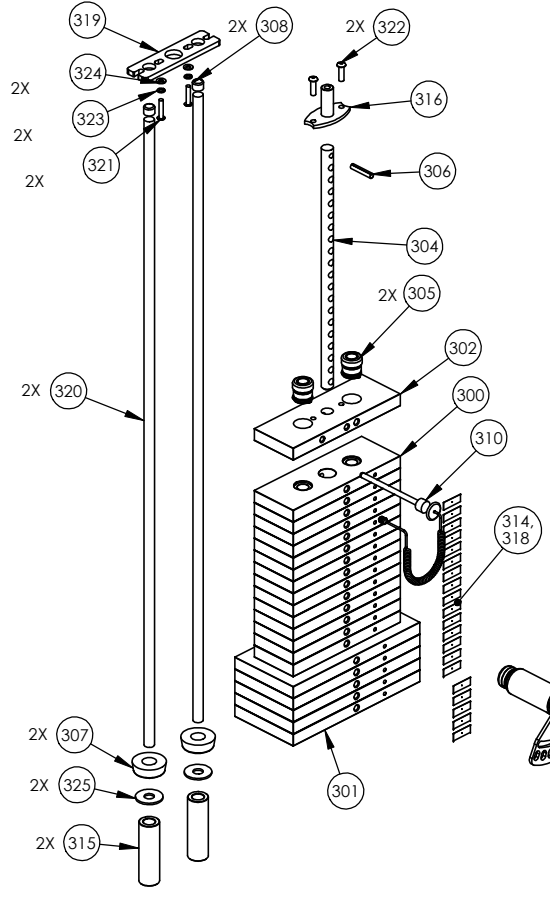
CW619KAS	P/N: CW33399-101	SUBREV: C
DRAWN BY: VLE	DATE: 11.11.09	SHEET 1 OF 5



CW619KAS	P/N: CW33399-101	SUBREV: C
DRAWN BY: VLE	DATE: 11.11.09	SHEET 3 OF 5



CW619KAS	P/N: CW33399-101	SUBREV: C
DRAWN BY: VLE	DATE: 11.11.09	SHEET 4 OF 5



CW619KAS	P/N: CW33399-101	SUBREV: C
DRAWN BY: VLE	DATE: 11.11.09	SHEET 5 OF 5

619KAS Seated Leg Curl with ASP

Part Number	Description	Bubble Number
CW10043-132	BUSHING, BRONZE, 1/2" ID X 3/4" OD	4
CW33053-731	ASSY, ARM SELECTOR, LEG EXT & CURL,	10
CW619SA5-721	ASSY, THIGH PAD, 619, WRINKLE BLACK	12
CW10043-134	BUSHING, BRONZE, 1" ID X 1 1/4" OD	13
CW619SA3-721	ASSY, PIVOT ADJ, 619, WRKLE BLK	14
CW33081-211	ASSY, ARM, CW619 ASP, SKY WHITE	16.01
CW33081-301	ASSY, ARM, CW619 ASP, CUSTOM	16.02
CW33081-321	ASSY, ARM, CW619 ASP, TITANIUM (HG)	16.03
CW32828-212	WELDMENT, MAINFRAME, CW619K, SKY WH	17.01
CW33083-302	ASSY, FRAME, MAIN, CW619K, CUSTOM	17.02
CW33083-322	ASSY, FRAME, MAIN, CW619K, TITANIUM	17.03
CW33082-721	ASSY, CAM, CW619KS, WRINKLE BLK	19.01
CW33082-301	ASSY, CAM, CW619KS, CUSTOM	19.02
CW33082-321	ASSY, CAM, CW619KS, TITANIUM	19.03
CWCLGH109-250	ASSY, CABLE, CW619KS	20
CW30010-102	LABEL,WARNING STRENGTH	21
CW30011-102	LABEL,WARNING WEIGHT STACK	22
CW32218-712	ASSEMBLY, BACKPAD ADJUSTMENT, 9 HOL	24
CW32091-211	ASSY, SHROUD, #5, SKY WHITE	25.01
CW32091-301	ASSY, SHROUD, #5, CUSTOM	25.02
CW32091-321	ASSY, SHROUD, #5, TITANIUM, HG	25.03
CWGR4606-000	GRIP, RUBBER, 1.00" OD HANDLE, 6.00	28
CWAC1232-101	LABEL, ROUND, "PIVOT"	29
CW10433-110	BUSHING,FLNGD,1.25ODX1IDX.75,IGUS R	30
CW11311-102	ENDCAP, REC TUBE, 2X4, BLK PLASTIC	31
CW11311-103	ENDCAP, REC TUBE, 2X2, BLK PLASTIC	32
CW12537-109	NUT,INSERT,THIN-NUT,LARGE FLANGE	33
CWAC218-901	HANDLE END CAP W/SET SCREWS, DIA 1"	34
CWAC219-902	HNDL RETAINER RNG, W/SS,1.040" I.D.	35
CW31756-101	LABEL, PRECOR USA ICARIAN LINE	36
CW31784-731	STOP PLUG, BLK ZN	37
CW32460-221	ASSY, RATCHETING LEVER, BLACK	38
CW33379-101	ASSY, PLACARD, 619KS	39
CW33382-751	ASSY, POP PIN, 0.450 DIA TAPERED NO	40
CW12406-101	PILLOW BLOCK, BEARING, 2 BOLT	41
CW30166-752	ASSY, POP PIN, 0.450 DIA NOSE, BLU	42
CW31807-742	RND BAR STEEL, DIA. 1.00 X (3.75),	43
CW32642-722	COUNTER BALANCE, LEG CURL, WRINKLE	44
CWAC1009-101	PULLEY, 4 1/2 DIA X 1/2 ID	45
CW33626-902	GUIDE, THCK, TELESCOPING TUBE	46
CW31245-721	ASSY,BAR, STEEL, FLAT, 3/8 X 1 X (7	47
CWAC222-901	ASSY, SHAFT END CAP W/SET SCREWS, D	49
CWAC221-901	SHAFT END CAP W/SET SCREWS, DIA 1 1	50
CWGR4603-625	GRIP, RUBBER, 1.00" OD HANDLE, 3.63	51
CWPF1555-721	PLATE,STEEL,1/4" THICK, CR, 9 SLOTS	52
CW33286-731	WELDMENT, STABILITY FOOT,BLACK ZINC	53
CWWALYN050-013	WASHER, SPLIT, 1/2 ID, BLK XYLAN	55
CWWBKN050-010	WASHER, FLAT, TYPE A, SAE, 1/2 ID X	56

CWTAYN050-100	SCREW, BUTTON HEAD, BLK XYLAN, 1/2	57
CWKDYN038-045	LOCKNUT, NYLON INSERT, FULL, UNC, 3	58
CWTAYN038-125	SCREW, BUTTON HEAD, BLK XYLAN, 3/8	59
CWWBKN038-007	WASHER, FLAT, TYPE A, SAE, 3/8 ID	60
CWTAYN050-175	SCREW, BUTTON HEAD, BLK XYLAN, 1/2	61
CWKAYN050-031	LOCKNUT, NYLON INSERT, HALF, UNC, 1	62
CWTAYN050-200	SCREW, BUTTON HEAD, BLK XYLAN, 1/2	63
CWCAYN038-275	SCREW, SOCKET HEAD, BLK XYLAN, 3/8	64
CWWALYN038-009	WASHER, SPLIT, 3/8 ID, BLK XYLAN	65
CWWBKN038-007	WASHER, FLAT, TYPE A, SAE, 3/8 ID	66
CWRANN038-063	BOLT, SHOULDER, 3/8-16 X 1/2 X 5/8	67
CWKAYN038-027	LOCKNUT, NYLON INSERT, HALF, UNC,	68
CWWACNN063-009	WASHER, NYLON, 5/8 ID X 15/16 OD X	69
CWTAYN038-075	SCREW, BUTTON HEAD, BLK XYLAN, 3/8	70
CWTAYN031-100	SCREW, BUTTON HEAD, BLK XYLAN, 5/16	71
CW12634-101	SPRING, TORSION 90 DEG X 0.484 X 0.	72
CW31770-742	LATCH PIVOTING PIN, CLR ZN	73
CWAMNN028-003	RING, RETAINING, 2-TURN, SPIRAL, SS	74
CW30501-752	ASSY, POP PIN, LONG, 0.450 DIA NOSE	76
CWGR4806-000	GRIP, RUBBER, .75" OD HANDLE, 6.00"	77
CWAC233-902	HANDLE RETAINER RING W/SET SCREWS,	78
CWAC220-901	HANDLE END CAP W/SET SCREWS, DIA 3/	79
CWGR4606-000	GRIP, RUBBER, 1.00" OD HANDLE, 6.00	80
CWPD1105B-101	PAD,9X17,4HOLES,W/BP,BLACK	80.01
CWPD1402A-101	PAD,5.625ODX1.5IDX20,BLACK	81.01
CWAC218-901	HANDLE END CAP W/SET SCREWS, DIA 1"	82
CWPD1142J-101	PAD,5X19,2HOLES,W/BP,BLACK,W/SLIP	82.01
CWPD1204J-101	PAD,14-1/8X18X18.5,4HL,W/BP,BLACK,W	83.01
CWWALYN031-008	WASHER, SPLIT, 5/16 ID, BL	84
CWWBKN031-007	WASHER, FLAT, TYPE A, SAE, 5/16 ID	85
CW10433-111	BSHNG,FLNGD,1.5ODX1.25IDX.75,IGUS R	87
CWWNKN138-016	WASHER, FLAT, 1 3/8 ID X 3 OD, 0.15	88
CWEANN031-031	SCREW, SET, SCKT, CUP POINT, 5/16-1	89
CWTAYN031-150	SCREW, BUTTON HEAD, BLK XYLAN, 5/16	90
CWWALYN031-008	WASHER, SPLIT, 5/16 ID, BL	91
CWWBKN031-007	WASHER, FLAT, TYPE A, SAE, 5/16 ID	92
CW10433-110	BUSHING,FLNGD,1.25ODX1IDX.75,IGUS R	93
CWAC220-901	HANDLE END CAP W/SET SCREWS, DIA 3/	94
CWGR4805-000	GRIP, RUBBER, .75" OD HANDLE, 5.00"	95
CWAC1133-101	BUSHING, WEIGHT PLATE, LDPE PLASTIC	203
CW30171-742	PIN, WEIGHT STACK, 6.00 INCHES, ZN	226
CW10519-721	PLATE, WEIGHT, 20 LBS, WRKL BLK	279
CW10510-721	ASSY, PLATE, WEIGHT, 10 LBS, WRKL B	300
CW10520-721	ASSY, PLATE, WEIGHT, 20 LBS, WRKL B	301
CW30132-712	SELECTOR STEM, 20 PLATE,0.875 DIA,	304
CW30184-902	ASSY,BARREL, TOP PLATE,ALUMINUM,TALL	305
CWLDNN038-200	SLOTTED PIN SPRING, DIA 3/8 X 2	306
CW12402-101	BUMPER, ID 1.050, BLK RUBBER	307
CW12404-101	CAP, GUIDE ROD,DIA 3/4, BLK	308
CW32937-101	WEIGHT STACK LABELS, 10-250, STAGGE	314
CW33323-721	STACK RISER, 5 INCH, WRINKLE BLACK	315
CW32663-741	WELDMENT, BOLT ON TOP PLATE MINI ST	316

CWPF1016-732	BAR,,FLAT CR/HR, 3/8 X 2 X 8 1/4, 3	319
CWPF1214-711	GUIDE ROD,STEEL,OD 3/4 X 52 5/8, CH	320
CWTAYN031-150	SCREW, BUTTON HEAD, BLK XYLAN, 5/16	321
CWTAYN038-125	SCREW, BUTTON HEAD, BLK XYLAN, 3/8	322
CWWALYN031-008	WASHER, SPLIT, 5/16 ID, BL	323
CWWBKN031-007	WASHER, FLAT, TYPE A, SAE, 5/16 ID	324
CWWCKN075-015	WASHER, FLAT, TYPE A, WIDE, 3/4 ID	325
CW32938-101	WEIGHT STACK LABELS, 10-300, STAGGE	333
CW31772-741	ASSY, ADD-ON WEIGHT HORN, CLEAR ZIN	350
CWTAYN031-150	SCREW, BUTTON HEAD, BLK XYLAN, 5/16	351
CWWALYN031-008	WASHER, SPLIT, 5/16 ID, BL	352
CWWBKN031-007	WASHER, FLAT, TYPE A, SAE, 5/16 ID	353
CW30326-721	WELDMENT, LINK PIVOT, 619, WRKL BLK	425
CWAC1177-101	FLOOR PROTECTOR, RUBBER, 4.563 X 4.	501
CWAC1180-101	FLOOR PROTECTOR, RUBBER, 2.563 X 4.	502
CW58004-101	WEIGHT STACK BUSHING KIT, KS SERIES	600
CW32537-102	LITERATURE KIT, GSM ONLY	999